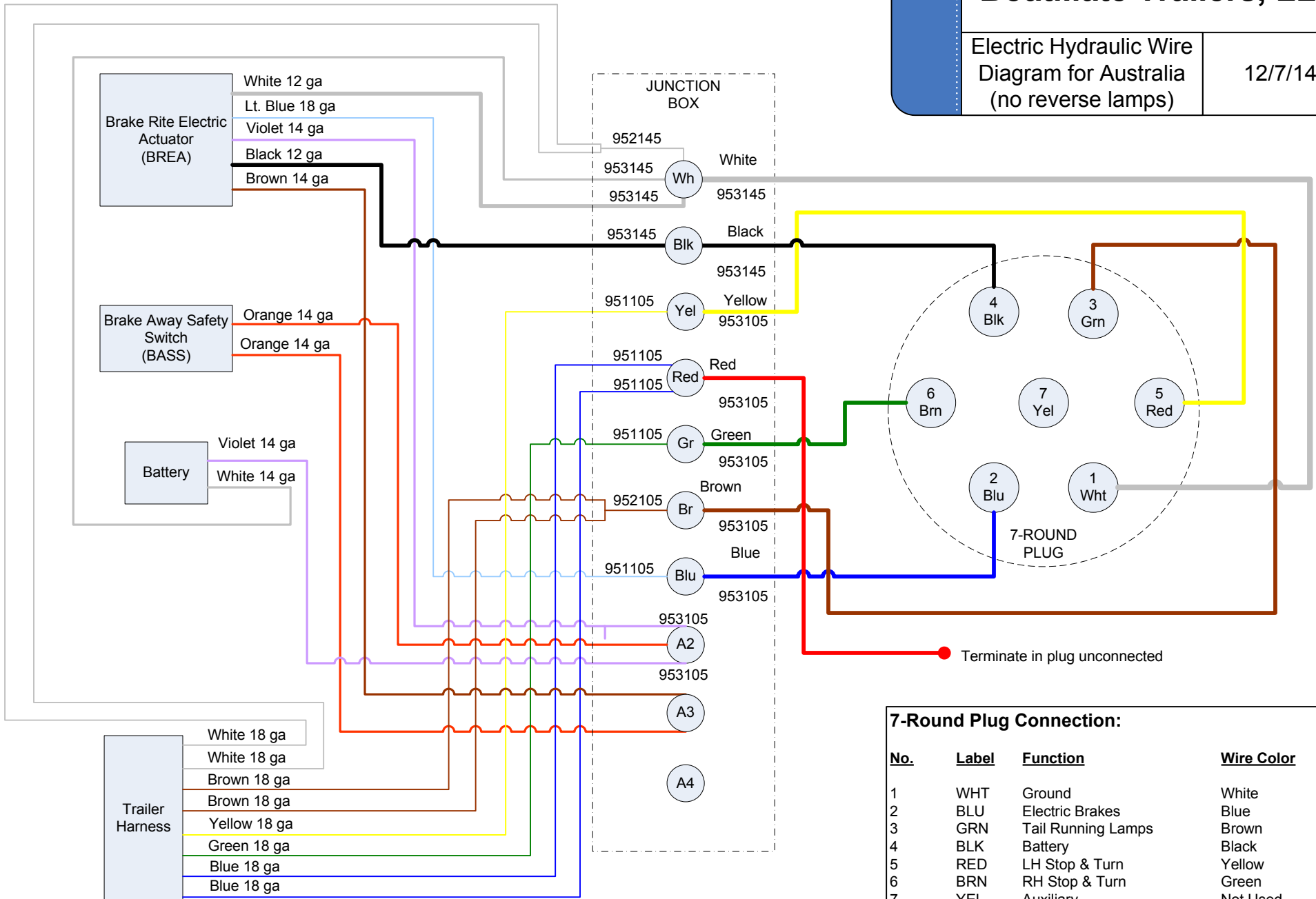


BoatMate Trailers, LLC

Electric Hydraulic Wire
Diagram for Australia
(no reverse lamps)

12/7/14



Identify Left Side and Right Side blue wires in trailer harness and label these two wires accordingly inside the junction box.

7-Round Plug Connection:

No.	Label	Function	Wire Color
1	WHT	Ground	White
2	BLU	Electric Brakes	Blue
3	GRN	Tail Running Lamps	Brown
4	BLK	Battery	Black
5	RED	LH Stop & Turn	Yellow
6	BRN	RH Stop & Turn	Green
7	YEL	Auxiliary	Not Used
n/a	n/a	Leave disconnected in plug	Red